



INDUSTRIAL PRODUCTS DIVISION

**PRETOOLED  
POLYURETHANE ARMREST  
CATALOG**

**FOR PRICING AND OTHER QUESTIONS CONTACT:  
ROB DIECKHAUS, EXT. 317  
ROB@MERAMEC.COM**

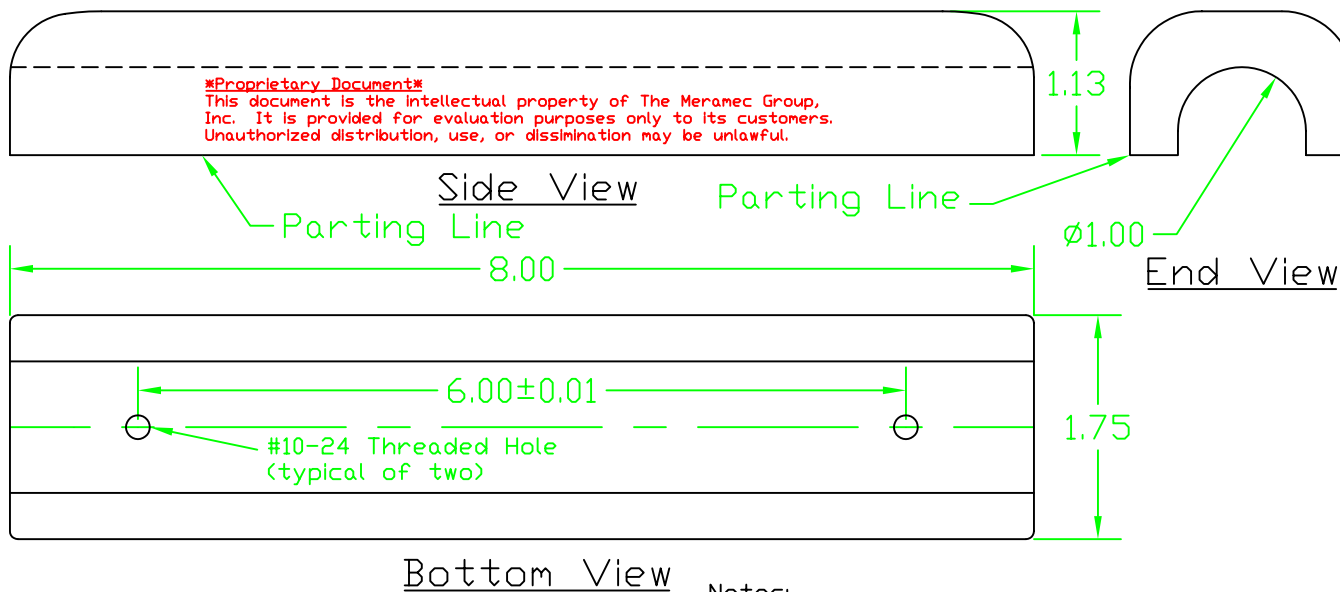
**MERAMEC GROUP, INC. - 338 RAMSEY ST. - SULLIVAN, MO 63080  
PHONE (573) 468-3101 - FAX (573) 860-3101  
WWW.MERAMEC.COM**



INDUSTRIAL PRODUCTS DIVISION

## TABLE OF CONTENTS

	<u>PAGE</u>		<u>PAGE</u>
<b>ARMPADS FOR ROUND TUBE:</b>		<b>ARMPADS FOR</b>	
<u>PIKE 13</u>	<u>3</u>	<b>RECTANGULAR PLATE:</b>	
<u>112</u>	<u>4</u>	<u>108</u>	<u>10</u>
<u>P1120</u>	<u>5</u>	<u>115</u>	<u>11</u>
<u>121</u>	<u>6</u>	<u>120</u>	<u>12</u>
<u>99-9</u>	<u>7</u>	<u>120A</u>	<u>13</u>
		<u>FASTARM</u>	<u>14</u>
<b>ARMPADS FOR OVAL TUBE:</b>		<u>10-1</u>	<u>15</u>
<u>97-1</u>	<u>8</u>	<u>93-1</u>	<u>16</u>
<u>97-2</u>	<u>9</u>	<u>96-2</u>	<u>17</u>
		<u>96-5</u>	<u>18</u>
<b>FLIP UP ARMPADS:</b>		<u>96-7</u>	<u>19</u>
<u>10-4</u>	<u>23</u>	<u>98-2</u>	<u>20</u>
<u>99-8M</u>	<u>24</u>	<u>99-4</u>	<u>21</u>
<u>WISEGUY</u>	<u>25</u>	<u>99-8</u>	<u>22</u>



**\*Proprietary Document\***  
 This document is the Intellectual property of The Meramec Group, Inc. It is provided for evaluation purposes only to its customers. Unauthorized distribution, use, or dissemination may be unlawful.

Side View

Parting Line

Parting Line

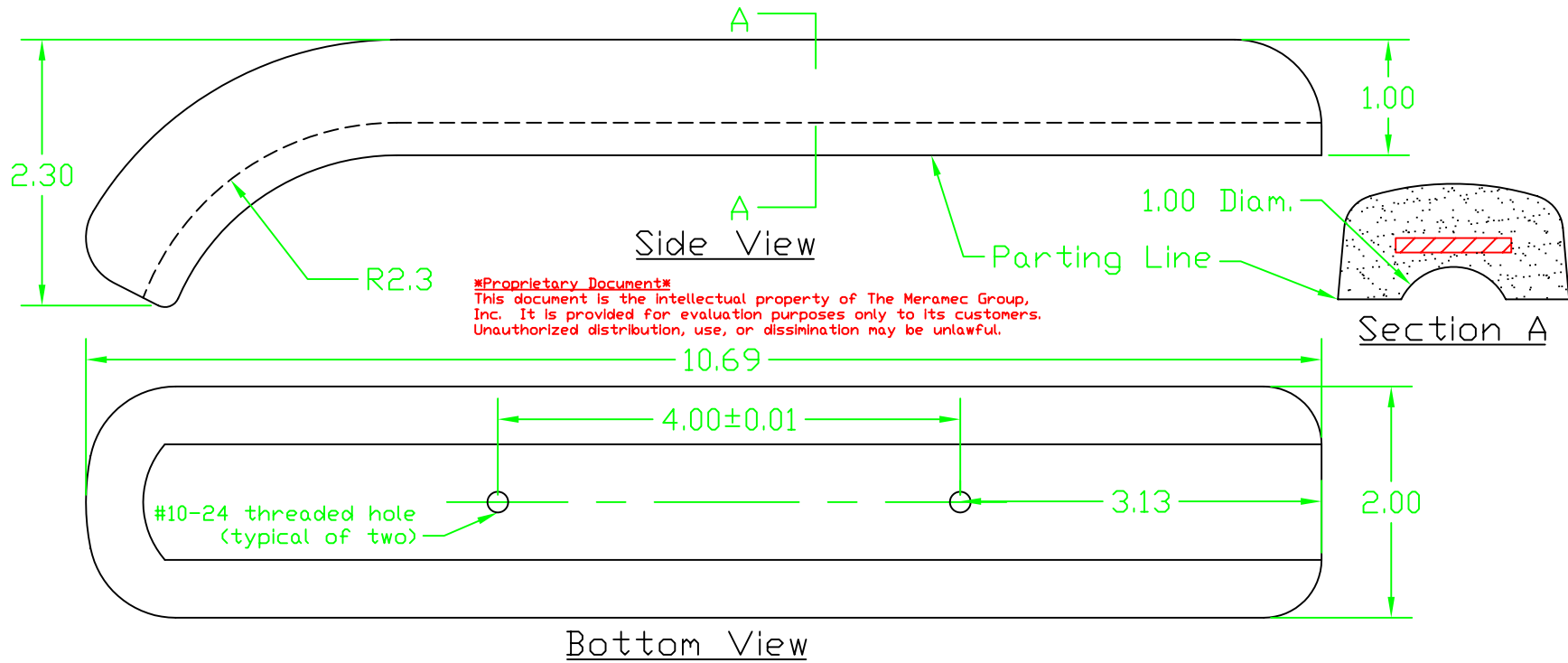
End View

Bottom View

**MERAMEC GROUP, INC.**  
**PIKE 13 ARMPAD**

**Notes:**

1. Dimensions  $\pm 0.03$  unless otherwise noted.
2. Texture is #2 bead.
3. Material is Maxum Lite® polyurethane.
4. Dimensions given are inches.
5. Substructure is the AI4004.

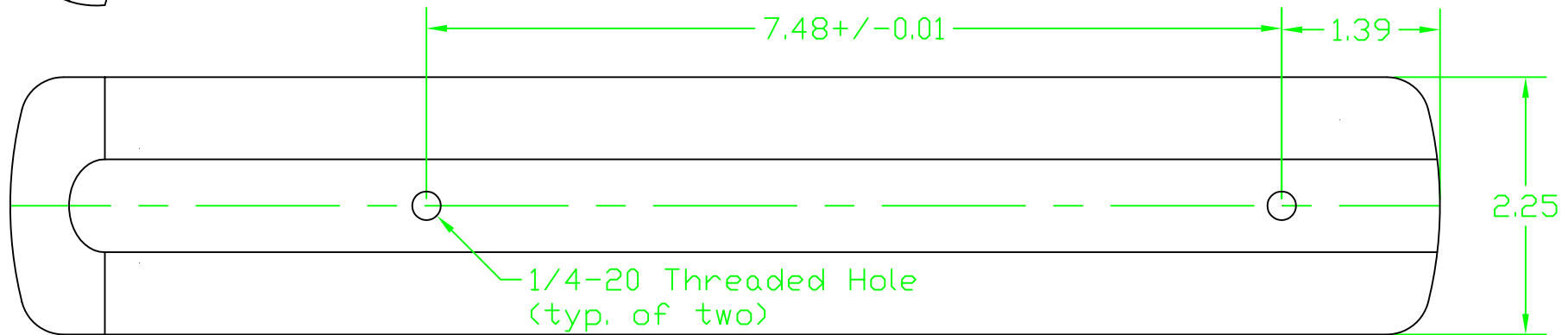
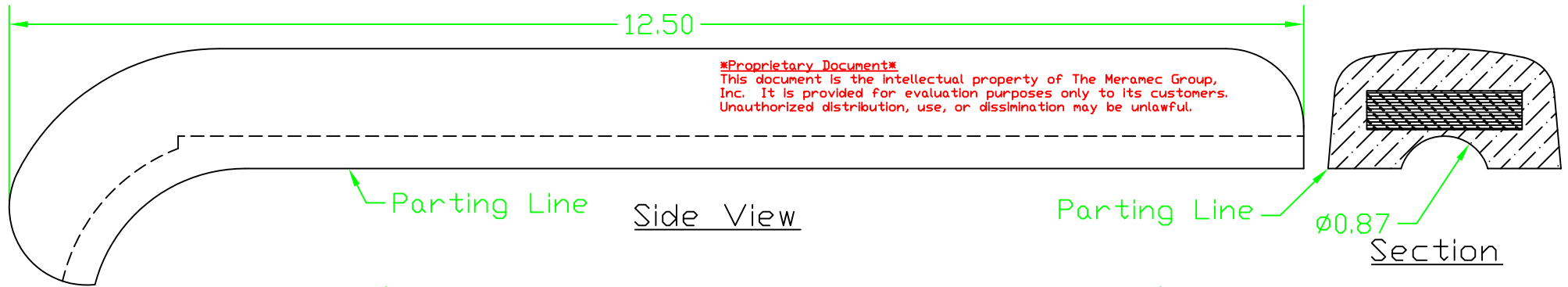


**\*Proprietary Document\***  
 This document is the intellectual property of The Meramec Group, Inc. It is provided for evaluation purposes only to its customers. Unauthorized distribution, use, or dissemination may be unlawful.

**MERAMEC GROUP, INC.**  
**112 ARMPAD**

**Notes:**

1. Dimensions ±0.03 unless otherwise noted.
2. Leather grain texture.
3. Material is Maxum Lite polyurethane.
4. Dimensions given are inches.
5. Substructure is the AI4005.

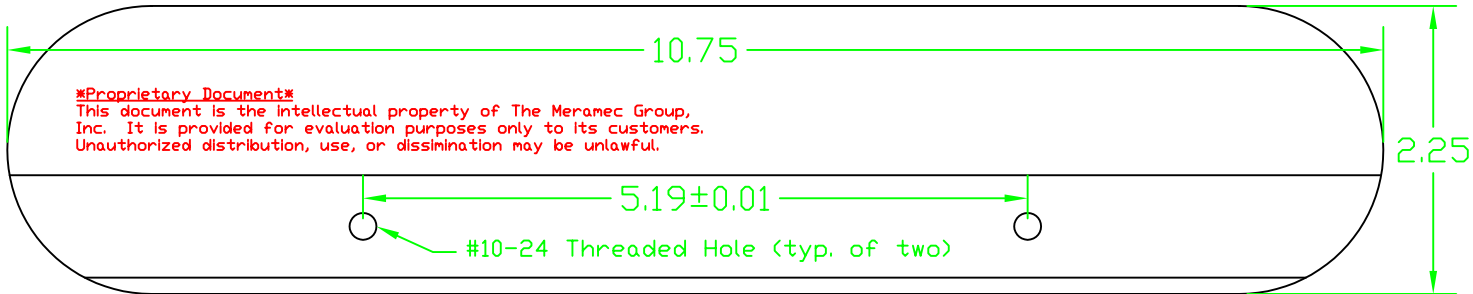


Bottom View

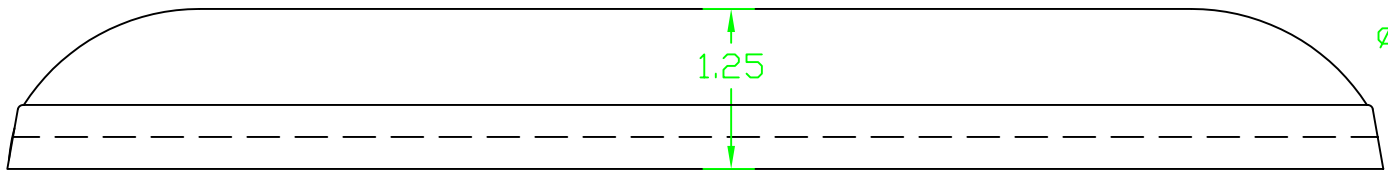
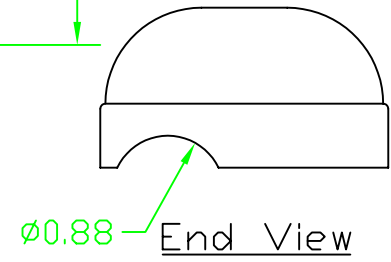
**MERAMEC GROUP, INC.**  
**P1120 ARMPAD**

Notes:

1. Material is Maxum Lite® polyurethane.
2. Linear tolerance is ±0.03 unless otherwise noted.
3. Texture is #2 bead.
4. Substructure is the AI4067.



Bottom View

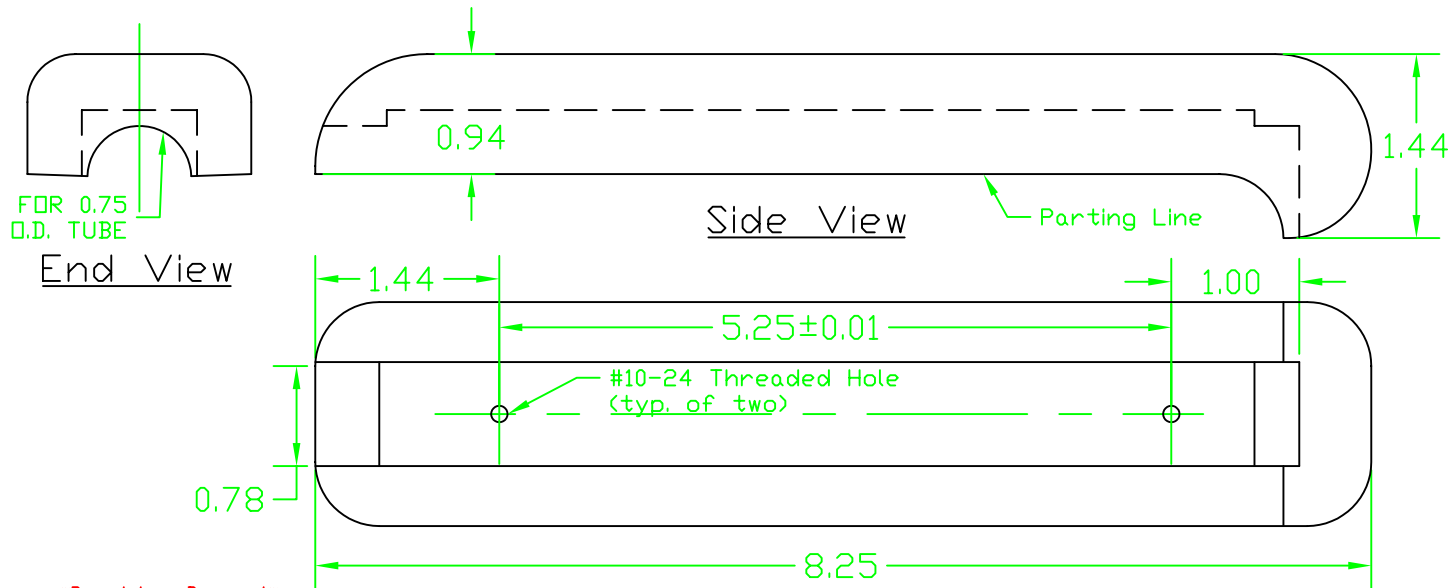


Bottom View

**MERAMEC GROUP, INC.**  
**121 ARMPAD**

Notes:

1. Material is Maxum Lite® polyurethane.
2. Linear tolerances is ±0.03 unless otherwise noted.
3. Texture is #2 spray type.
4. Substructure is the AI4008.



**\*Proprietary Document\***

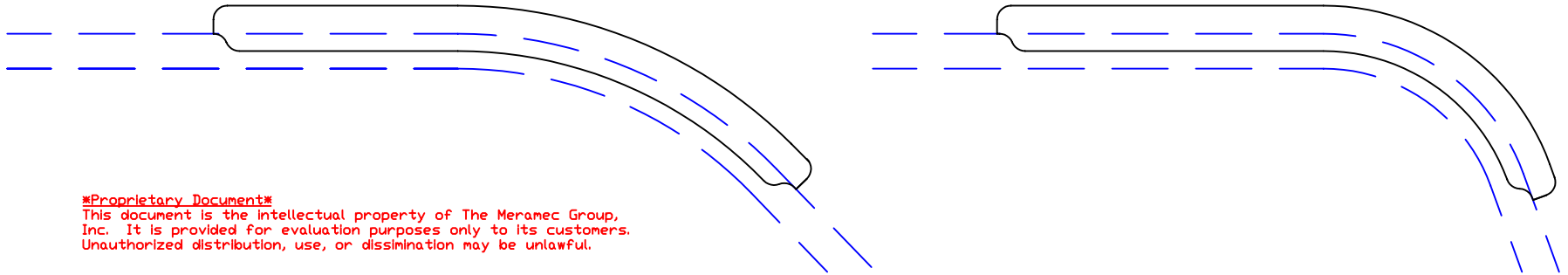
This document is the intellectual property of The Meramec Group, Inc. It is provided for evaluation purposes only to its customers. Unauthorized distribution, use, or dissemination may be unlawful.

**MERAMEC GROUP, INC.**  
**99-9 ARMPAD**

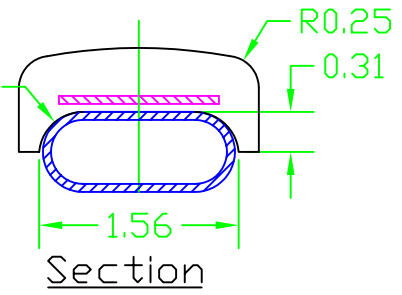
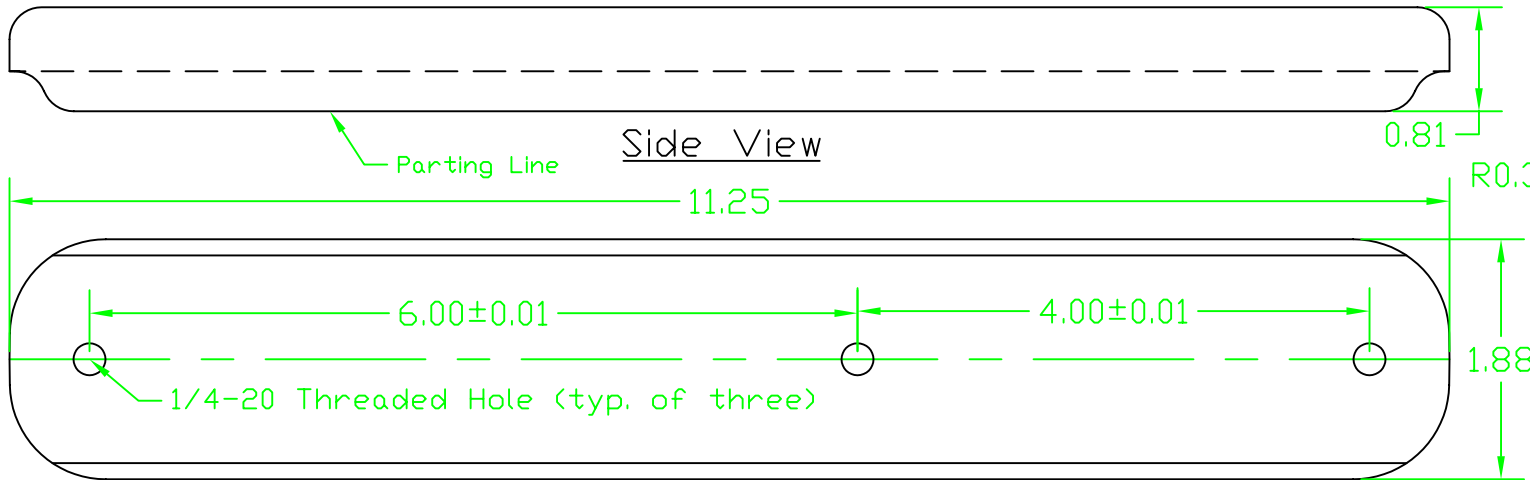
**Bottom View**

**Notes:**

1. Material is Maxum Lite® polyurethane.
2. Linear tolerances are  $\pm 0.03$  unless otherwise noted.
3. Texture is #2 bead.
4. Substructure is the AI4041.



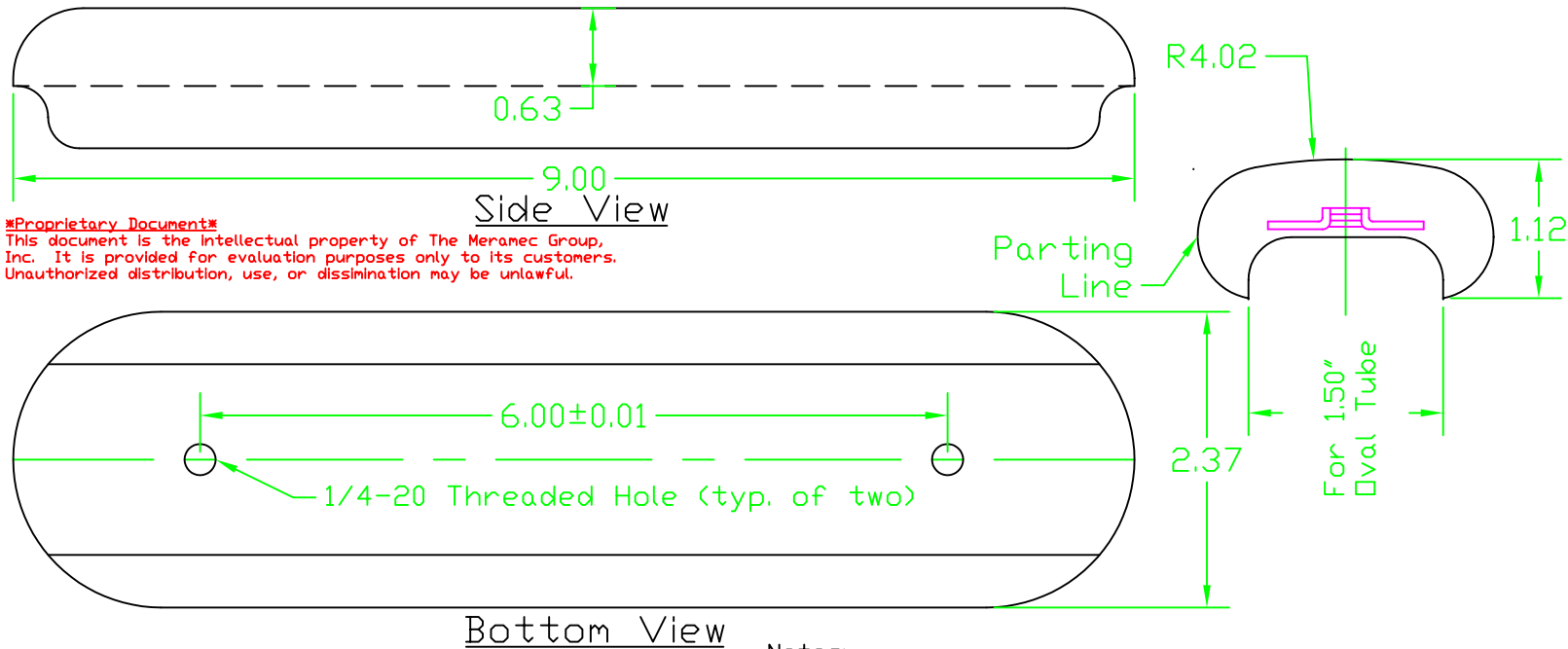
**\*Proprietary Document\***  
 This document is the intellectual property of The Meramec Group, Inc. It is provided for evaluation purposes only to its customers. Unauthorized distribution, use, or dissemination may be unlawful.



Bottom View

**MERAMEC GROUP, INC.**  
**97-1 ARMPAD**

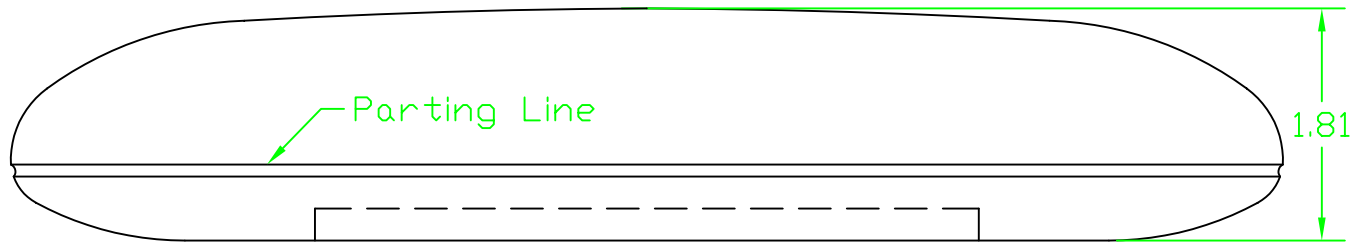
- Notes:**
1. Material is Maxum Lite® polyurethane.
  2. Linear tolerances are ±0.03 unless otherwise noted.
  3. Texture is #2 bead.
  4. Substructure is the AI4009.



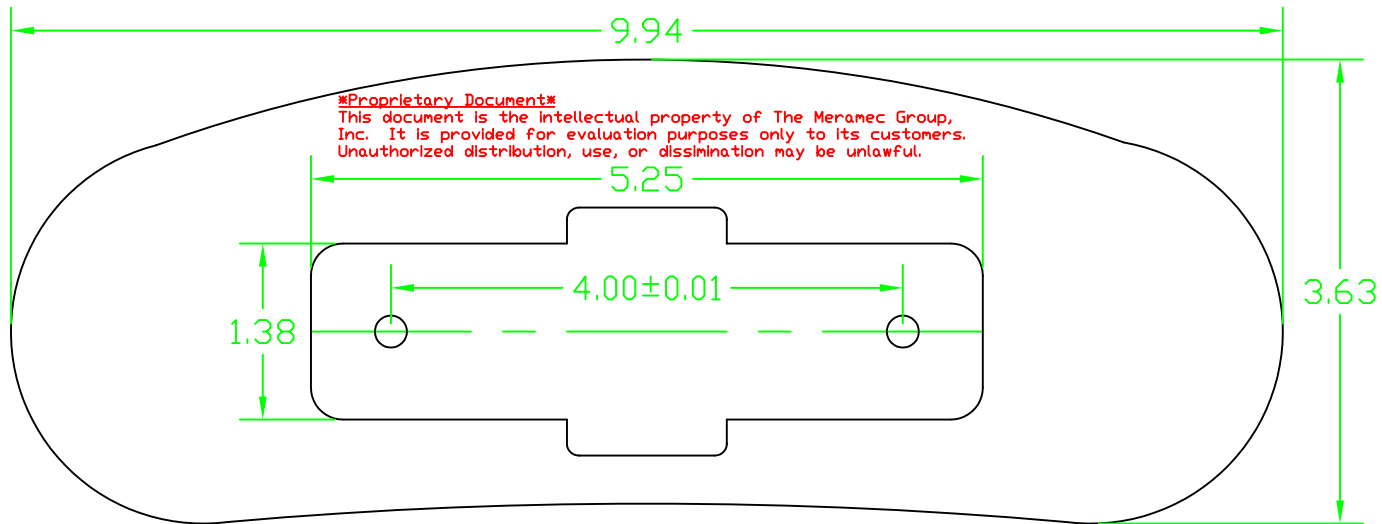
**\*Proprietary Document\***  
 This document is the Intellectual property of The Meramec Group, Inc. It is provided for evaluation purposes only to its customers. Unauthorized distribution, use, or dissemination may be unlawful.

**MERAMEC GROUP, INC.**  
**97-2 ARM PAD**

- Notes:**
1. Material is Maxum Lite® polyurethane.
  2. Linear tolerances are ±0.03 unless otherwise noted.
  3. Texture is #2 bead.
  4. Substructure is the AI4082.



Side View

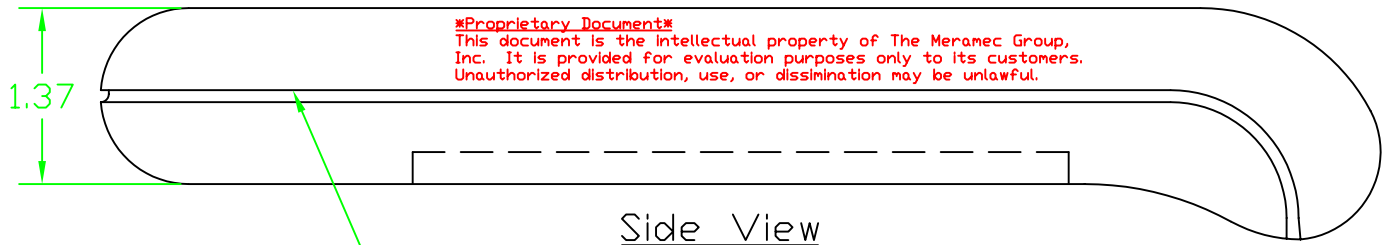


Bottom View

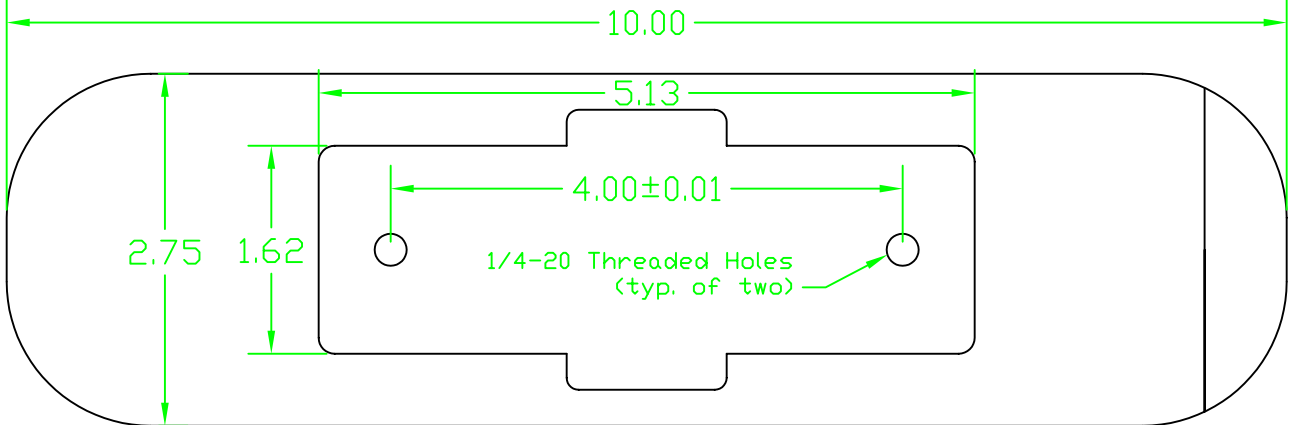
**MERAMEC GROUP, INC.**  
**108 ARMPAD**

Notes:

1. Material is Maxum Lite® polyurethane.
2. Linear tolerances are ±0.03 unless otherwise noted.
3. Texture is leather grain.
4. Substructure is the AI4026.

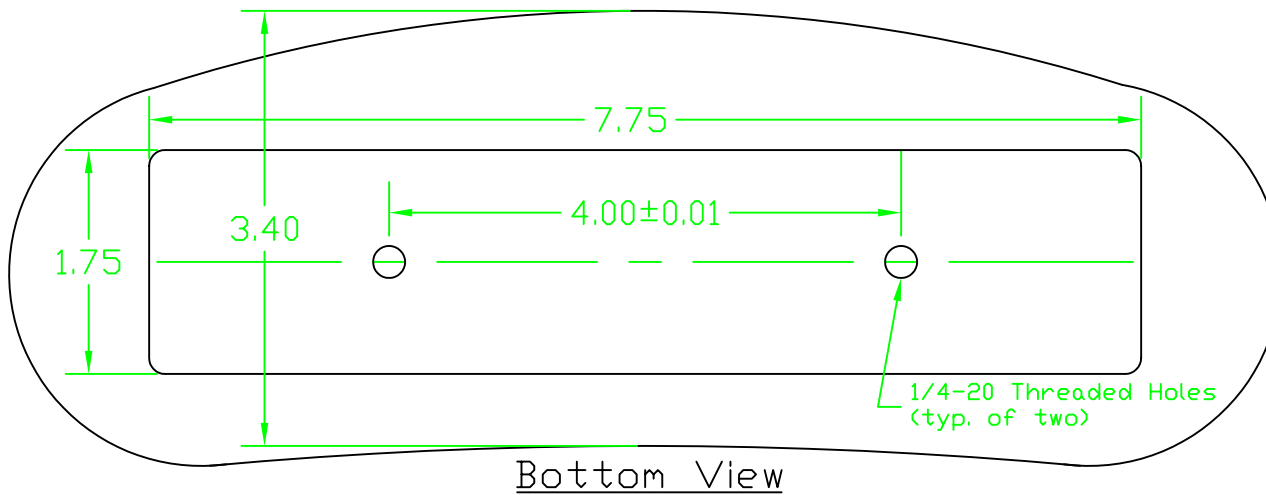
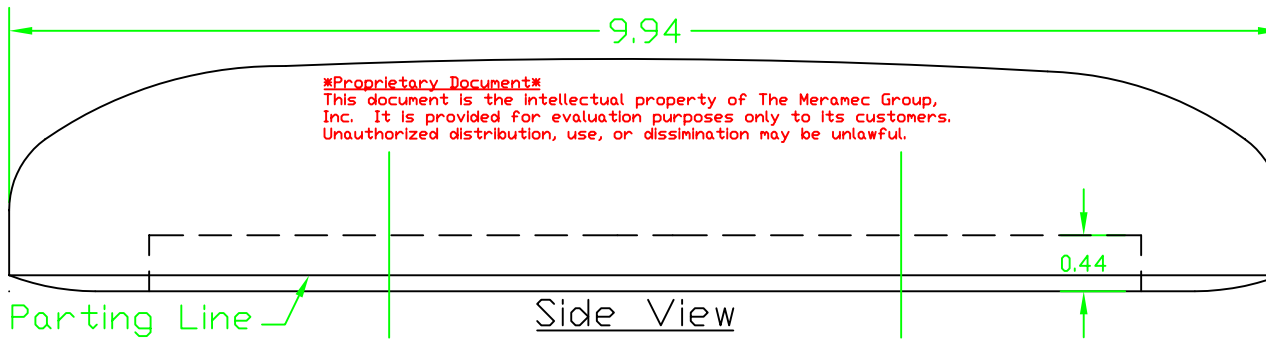


Parting Line



**MERAMEC GROUP, INC.**  
**115 ARMPAD**

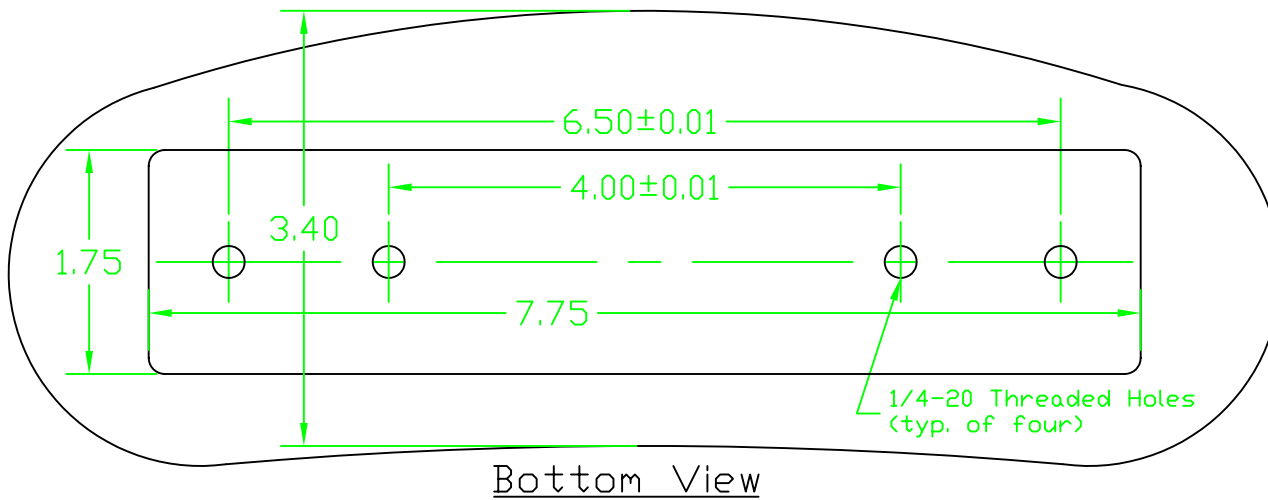
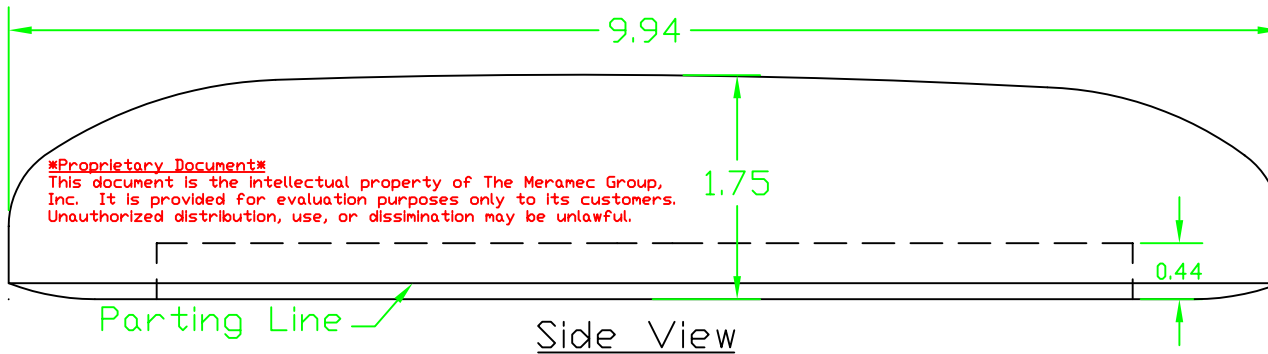
- Notes:
1. Material is Maxum Lite® polyurethane.
  2. Texture is leather grain.
  3. Steel substructure is AI4026.
  4. Linear tolerances are ±0.03 unless otherwise noted.



**MERAMEC GROUP, INC.**  
**120 ARMPAD**

**Notes:**

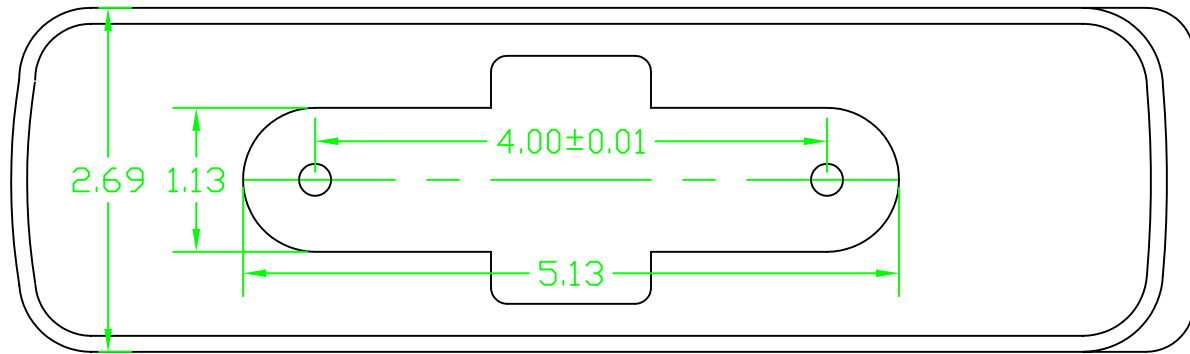
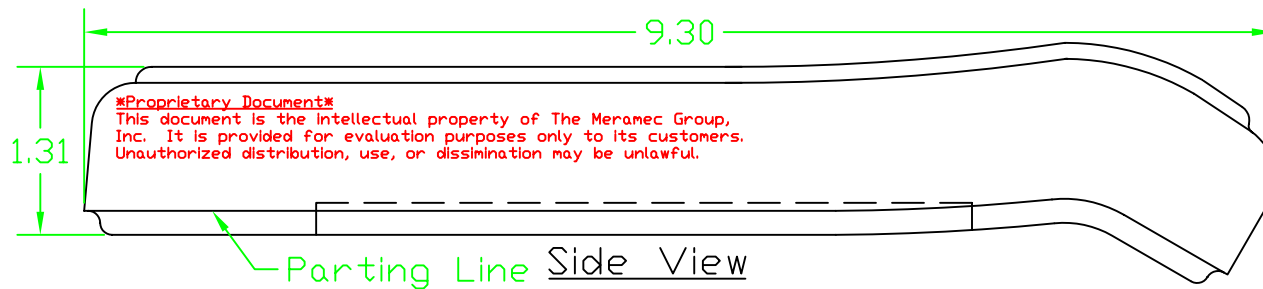
1. Material is Maxum Lite® polyurethane.
2. Texture is #2 bead.
3. Linear tolerances are ±0.03 unless otherwise noted.
4. Substructure is the AI4026.



**MERAMEC GROUP, INC.**  
**120A ARMPAD**

**Notes:**

1. Material is integral-skin polyurethane.
2. Texture is #2 bead.
3. Linear tolerances are ±0.03 unless otherwise noted.
4. Substructure is the AI4026.

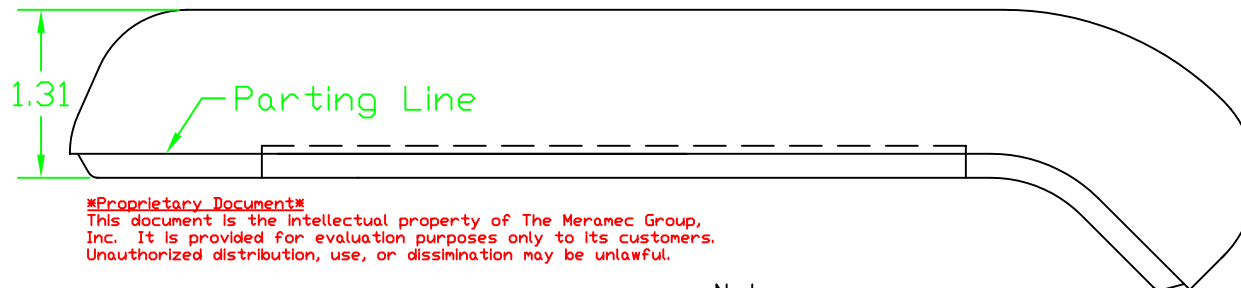
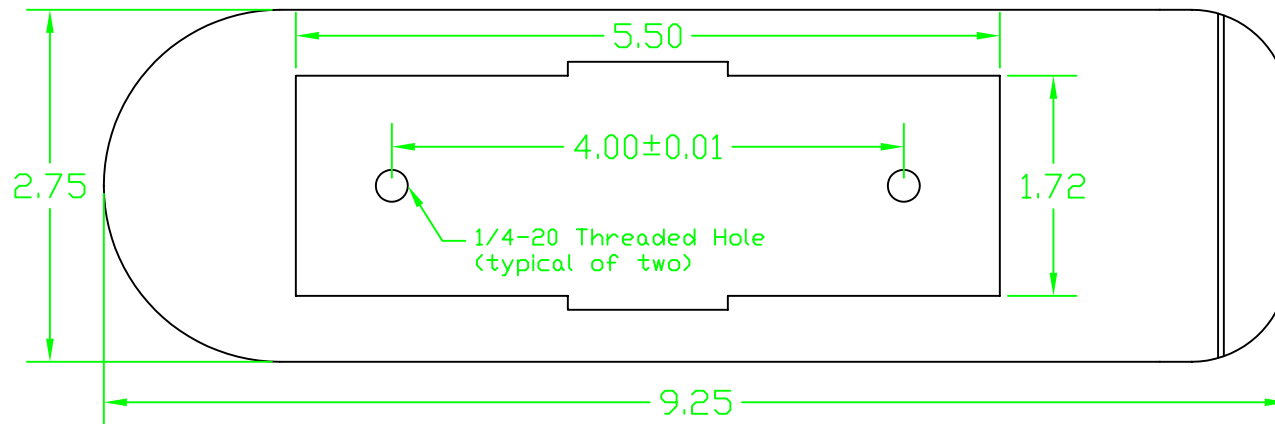


Bottom View

**MERAMEC GROUP, INC.**  
**FASTARM ARMPAD**

Notes:

1. Material is Maxum Lite® polyurethane.
2. Linear tolerances are ±0.03 unless otherwise noted.
3. Texture is #2 bead.
4. Substructure is the AI4026.

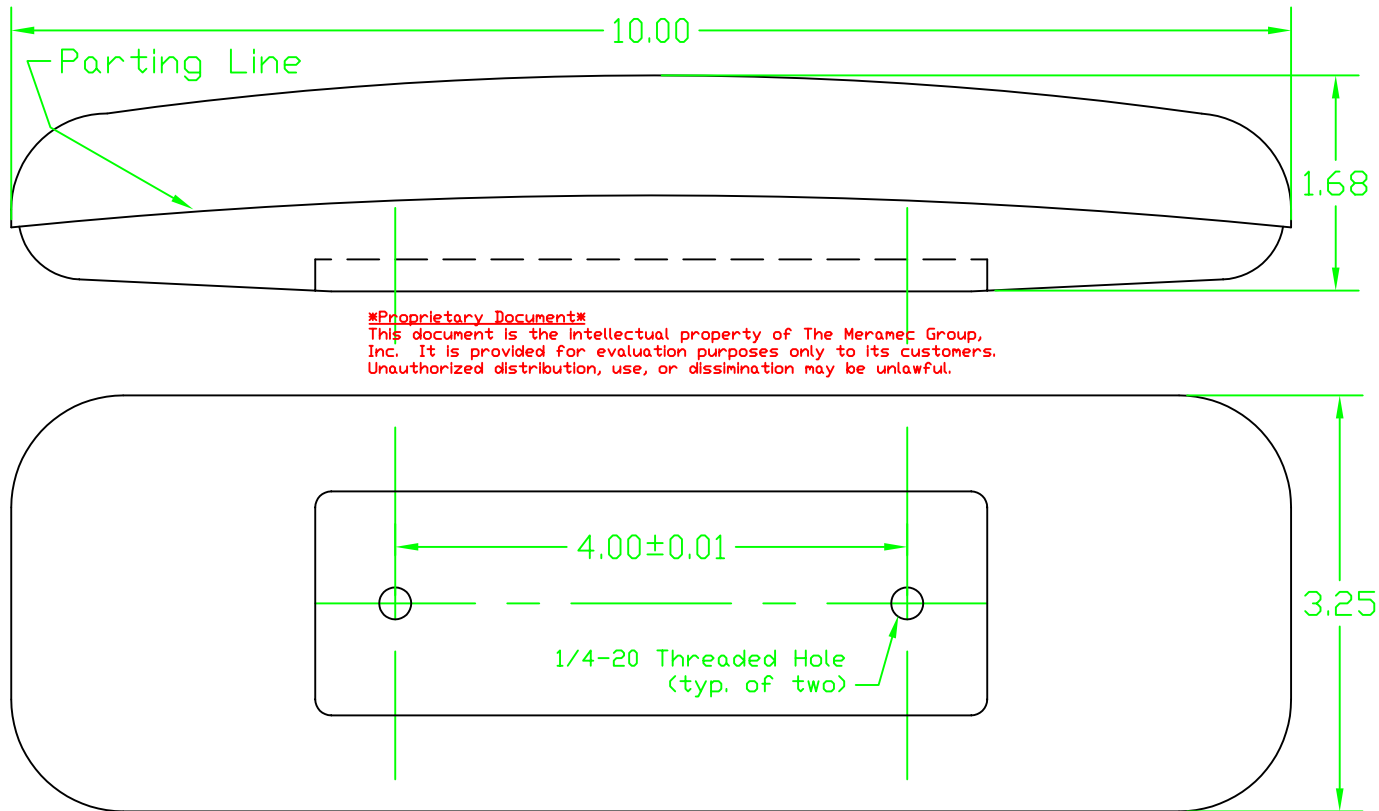


**\*Proprietary Document\***  
 This document is the intellectual property of The Meramec Group, Inc. It is provided for evaluation purposes only to its customers. Unauthorized distribution, use, or dissemination may be unlawful.

**MERAMEC GROUP, INC.**  
**10-1 ARMPAD**

Notes:

1. Material is Maxum Lite® polyurethane.
2. Linear tolerances are ±0.03 unless otherwise noted.
3. Texture is #2 bead.
4. Substructure is the AI4026.

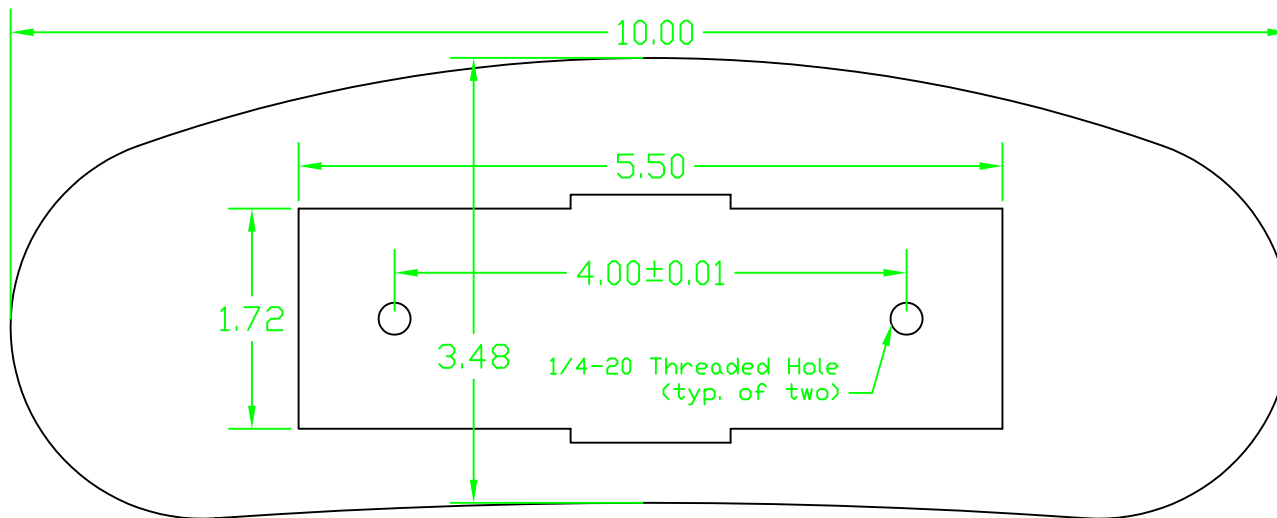


**\*Proprietary Document\***  
 This document is the Intellectual property of The Meramec Group, Inc. It is provided for evaluation purposes only to its customers. Unauthorized distribution, use, or dissemination may be unlawful.

**MERAMEC GROUP, INC.**  
**93-1 ARMPAD**

**Notes:**

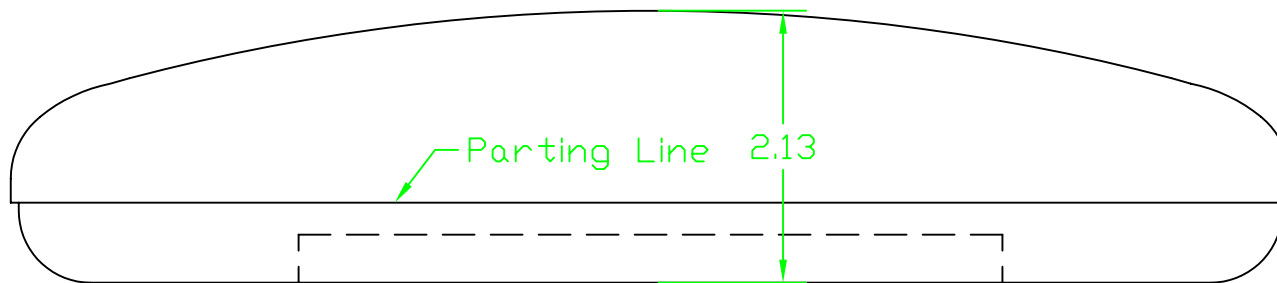
1. Material is Maxum Lite® polyurethane.
2. Linear tolerances are ±0.03 unless otherwise noted.
3. Texture is #2 bead.
4. Substructure is the AI4026.



**\*Proprietary Document\***

This document is the intellectual property of The Meramec Group, Inc. It is provided for evaluation purposes only to its customers. Unauthorized distribution, use, or dissemination may be unlawful.

Bottom View

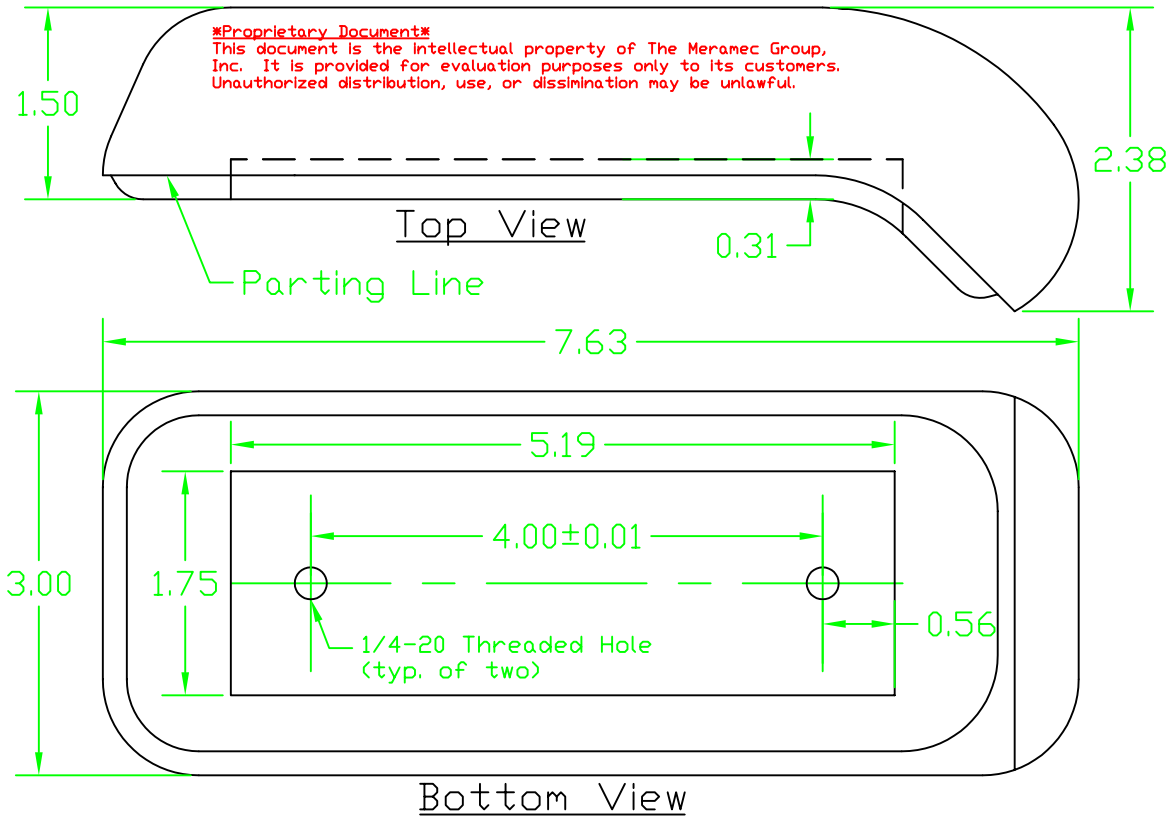


Side View

**MERAMEC GROUP, INC.**  
**96-2 ARMPAD**

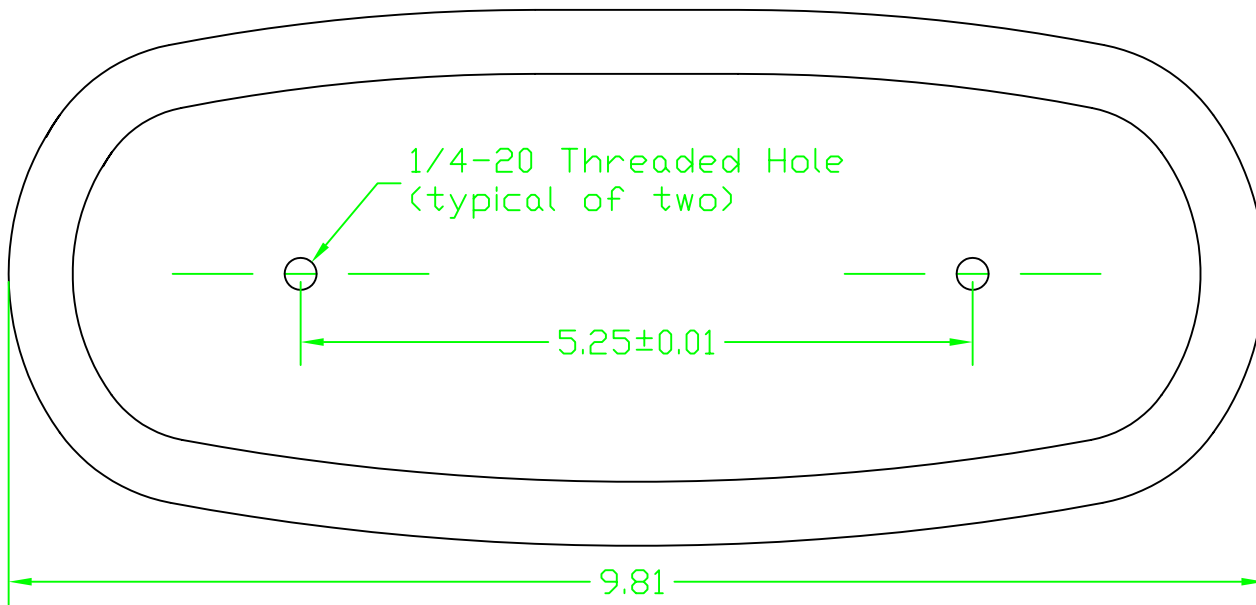
Notes:

1. Material is Maxum Lite® polyurethane.
2. Linear tolerances are ±0.03 unless otherwise noted.
3. Texture is #2 bead.
4. Substructure is the AI4026.



**MERAMEC GROUP, INC.**  
**96-5 ARMPAD**

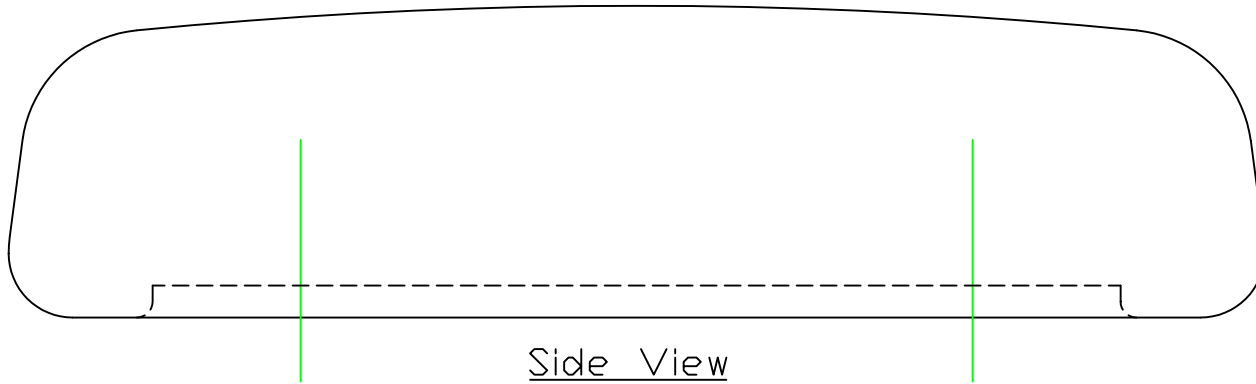
- Notes:**
1. Material is Maxum Lite® polyurethane.
  2. Linear tolerances are ±0.03 unless otherwise noted.
  3. Texture is #2 bead.
  4. Substructure is the AI4025.



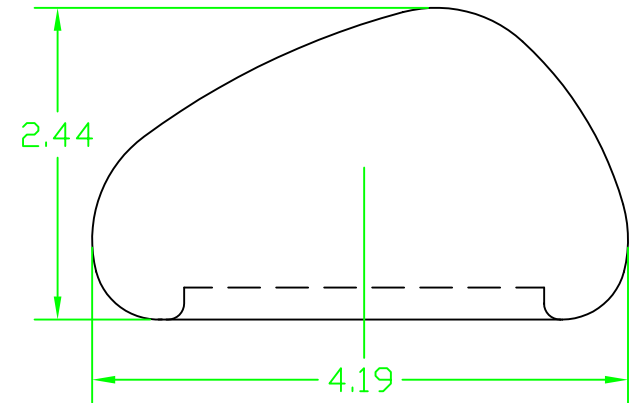
Bottom View

**\*Proprietary Document\***

This document is the intellectual property of The Meramec Group, Inc. It is provided for evaluation purposes only to its customers. Unauthorized distribution, use, or dissemination may be unlawful.



Side View

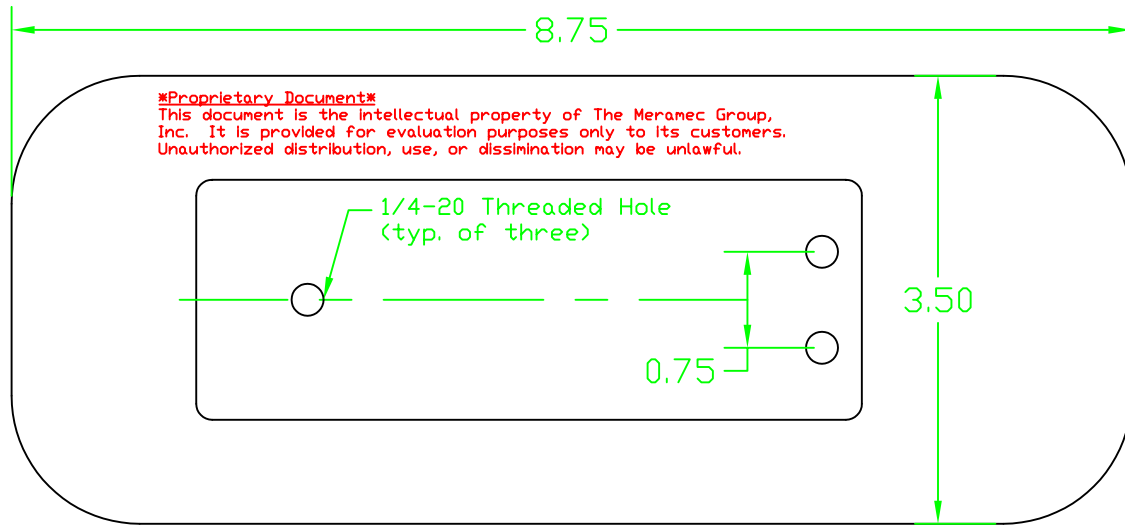


End View

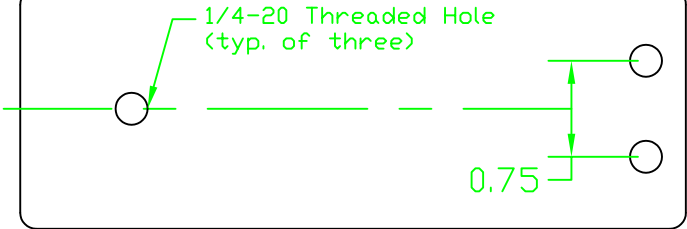
**MERAMEC GROUP, INC.**  
**#96-7 ARM PAD**

Notes:

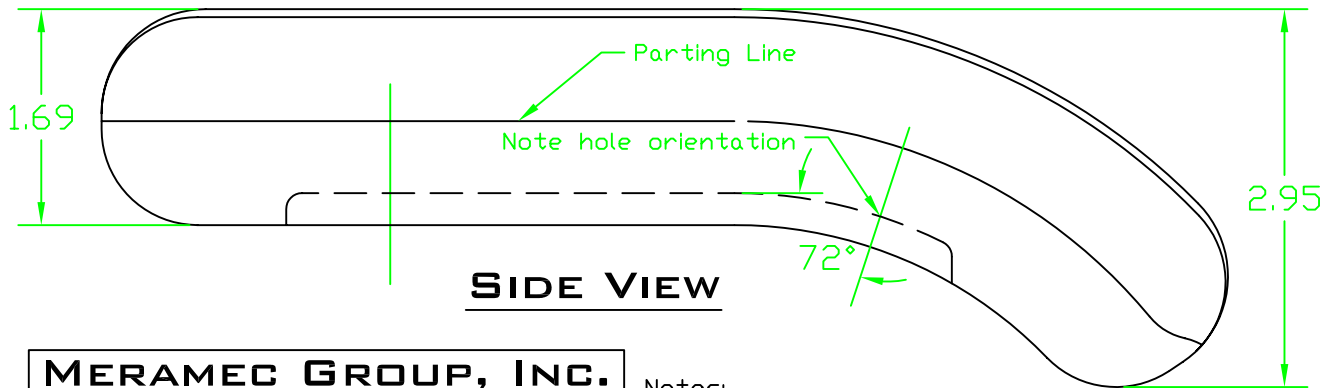
1. Material is Maxum Lite® polyurethane.
2. Linear dimensions are ±0.03 unless otherwise noted.
3. Texture is a light bead.
4. Substructure is the AI4021.



**\*Proprietary Document\***  
 This document is the intellectual property of The Meramec Group, Inc. It is provided for evaluation purposes only to its customers. Unauthorized distribution, use, or dissemination may be unlawful.



**BOTTOM VIEW**

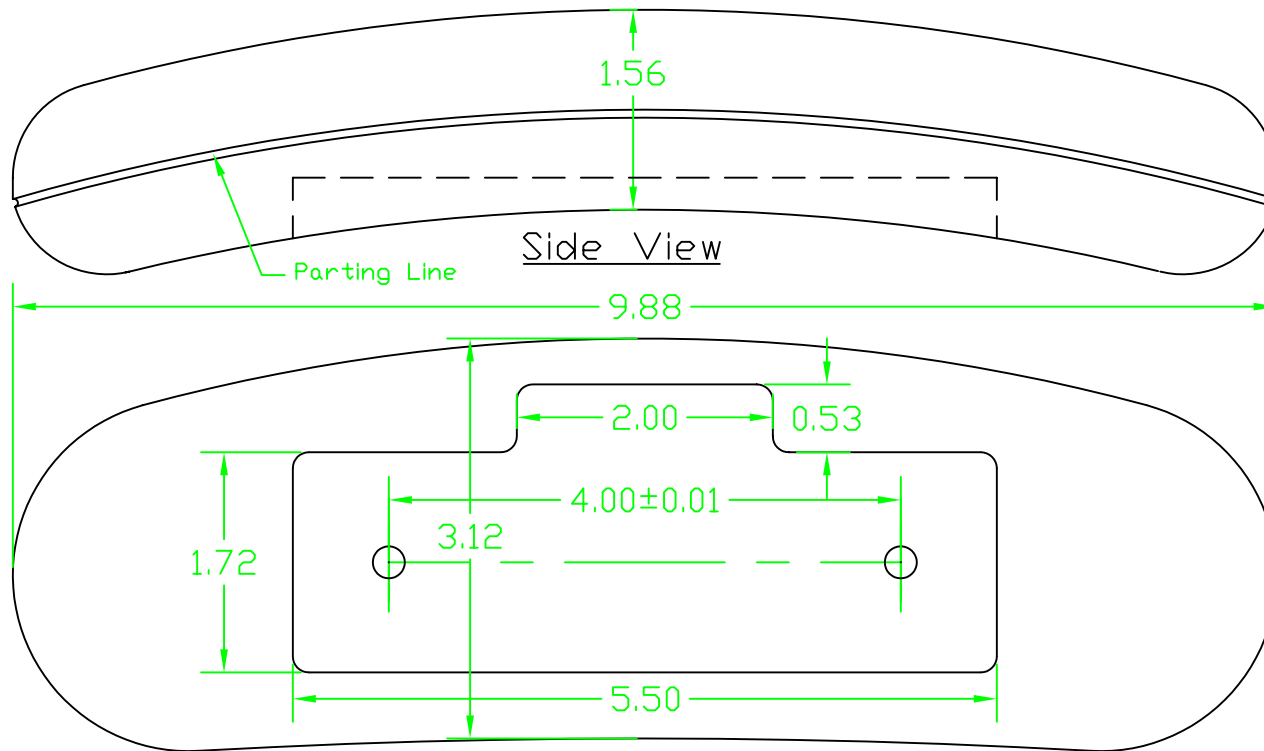


**SIDE VIEW**

**MERAMEC GROUP, INC.**  
**98-2 ARMPAD**

**Notes:**

1. Material is Maxum Lite® polyurethane.
2. Linear tolerances are ±0.03 unless otherwise noted.
3. Texture is #2 bead.
4. Substructure is the AI4026.



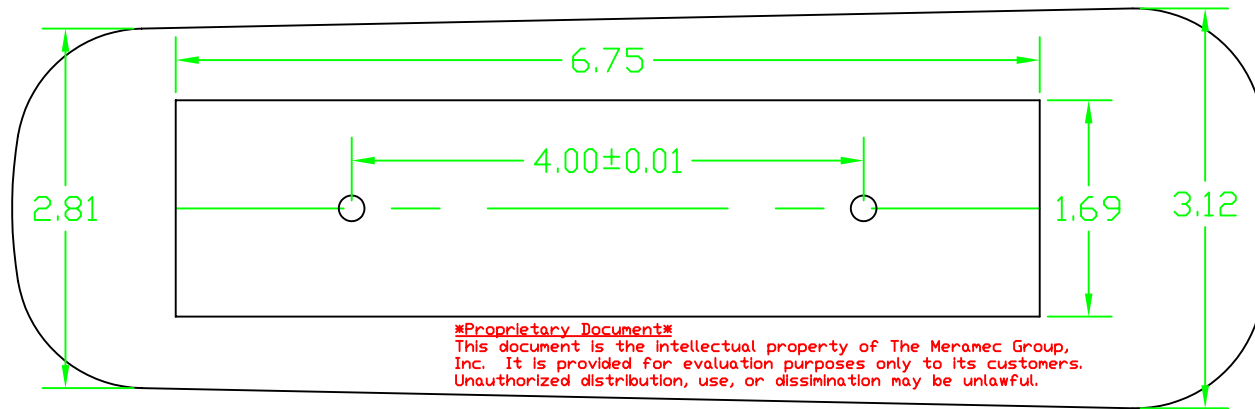
**\*Proprietary Document\***

This document is the intellectual property of The Meramec Group, Inc. It is provided for evaluation purposes only to its customers. Unauthorized distribution, use, or dissemination may be unlawful.

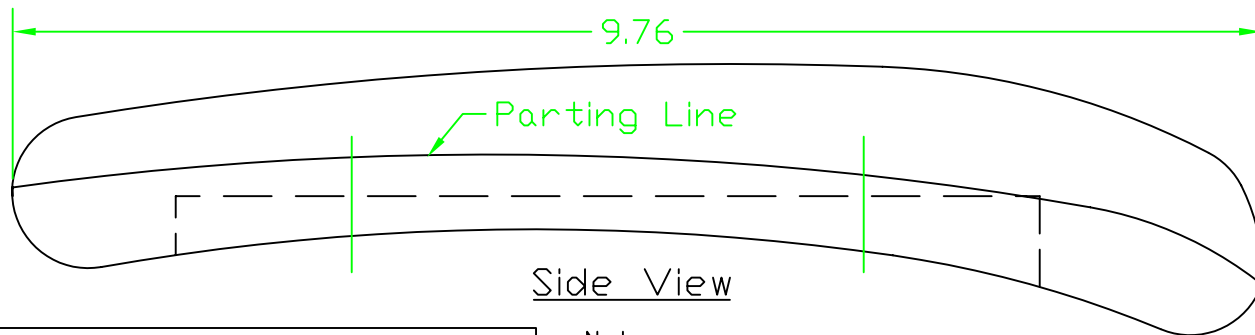
**MERAMEC GROUP, INC.**  
**99-4 ARMPAD**

**Notes:**

1. Material is Maxum Lite® polyurethane.
2. Texture is #2 bead.
3. Linear tolerances are ±0.03 unless otherwise noted.
4. Substructure is the AI4026.



Bottom View

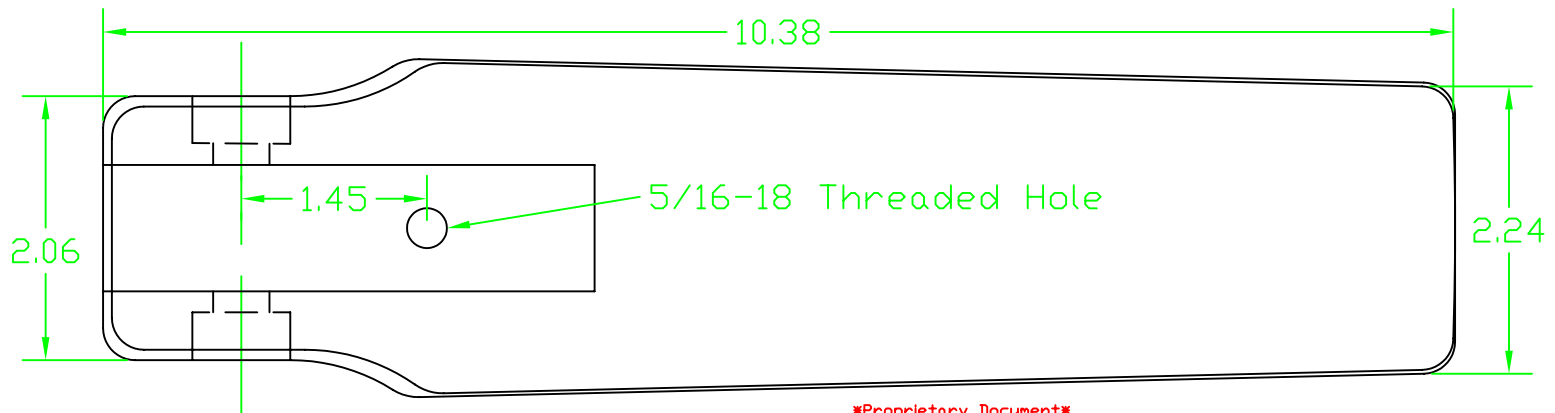


Side View

**MERAMEC GROUP, INC.**  
**99-8 ARMPAD**

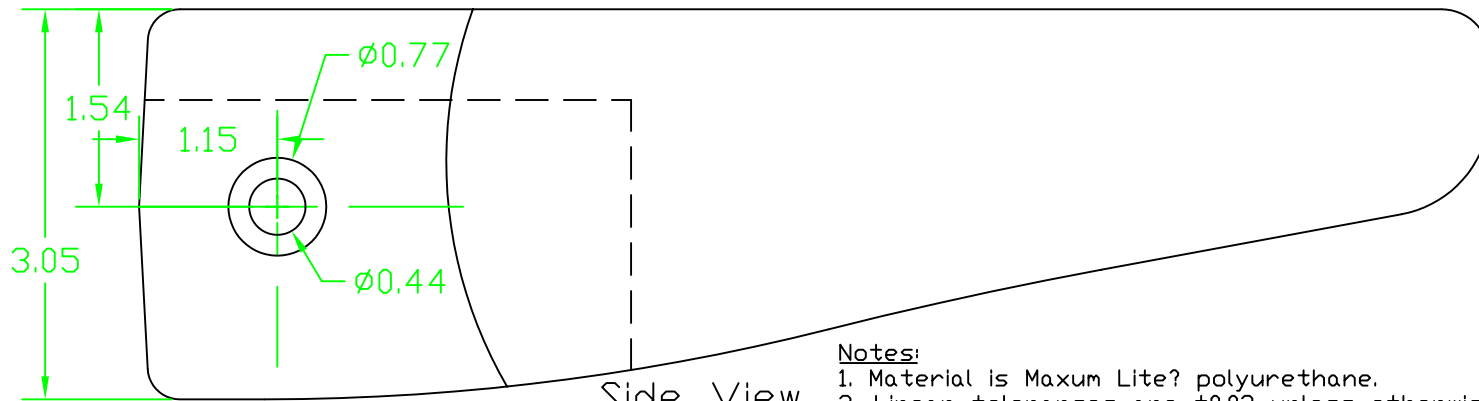
Notes:

1. Material is Maxum Lite® polyurethane.
2. Linear tolerances are ±0.03 unless otherwise noted.
3. Texture is #2 bead.
4. Substructure is the AI4026.



Bottom View

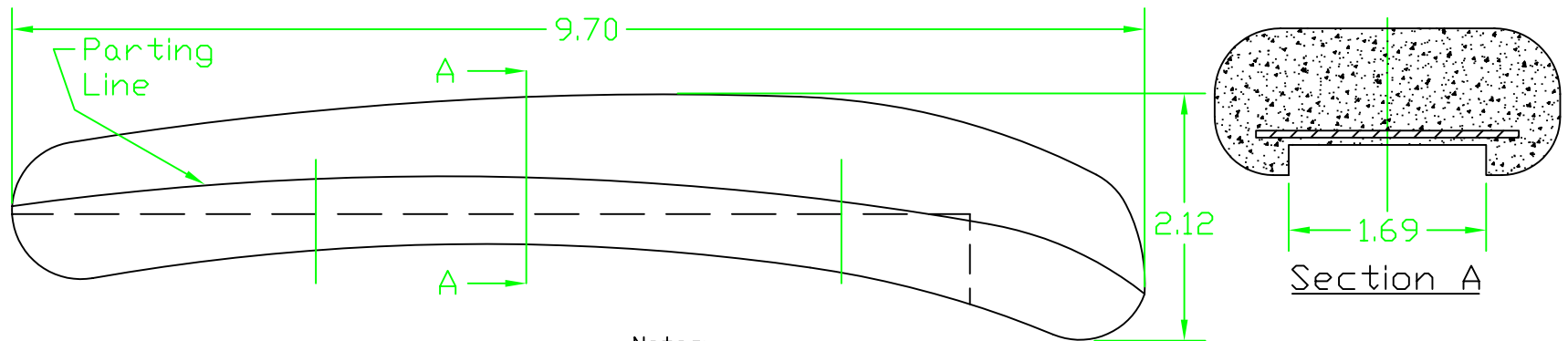
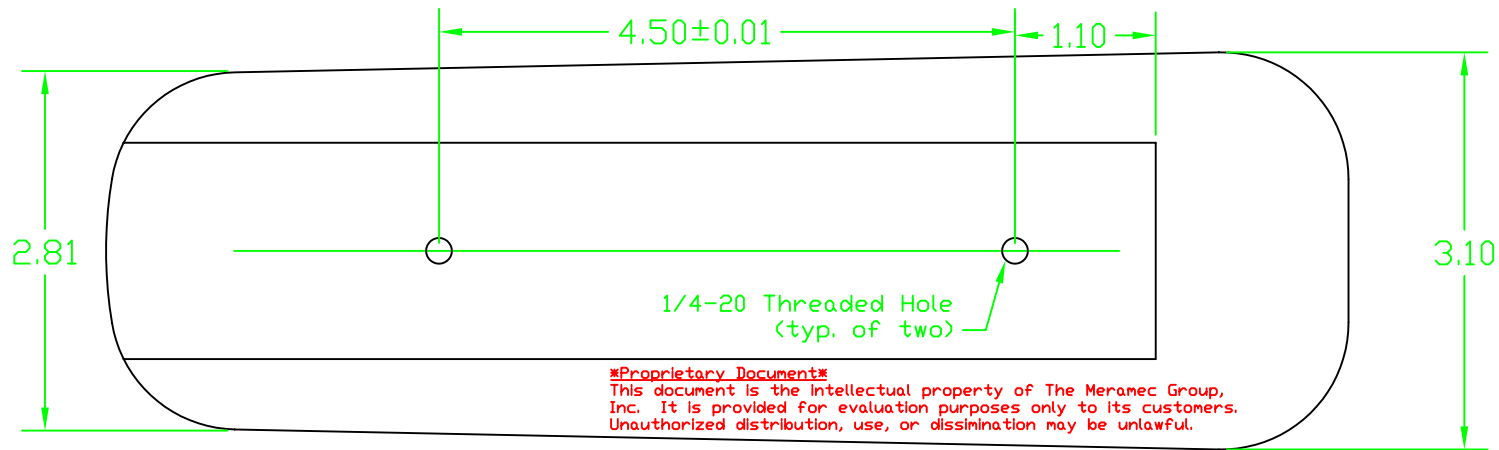
**\*Proprietary Document\***  
 This document is the intellectual property of The Meramec Group, Inc. It is provided for evaluation purposes only to its customers. Unauthorized distribution, use, or dissemination may be unlawful.



Side View

- Notes:
1. Material is Maxum Lite? polyurethane.
  2. Linear tolerances are  $\pm 0.03$  unless otherwise noted.
  3. Texture is #2 bead.
  4. Substructure is AI4000.

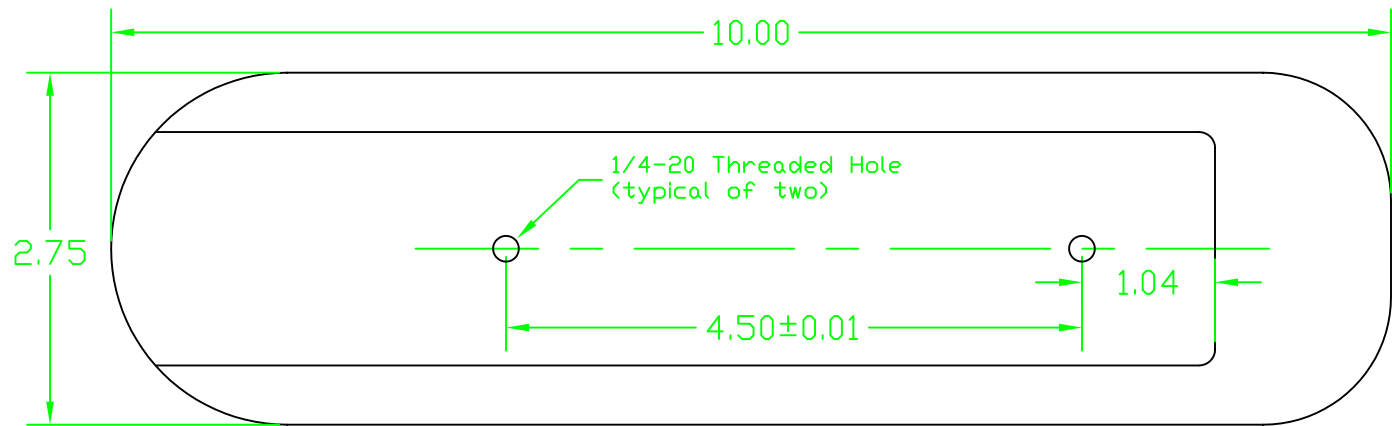
**MERAMEC GROUP, INC.**  
**10-4 FLIP UP ARMREST**



**MERAMEC GROUP, INC.**  
**99-8M ARMPAD**

**Notes:**

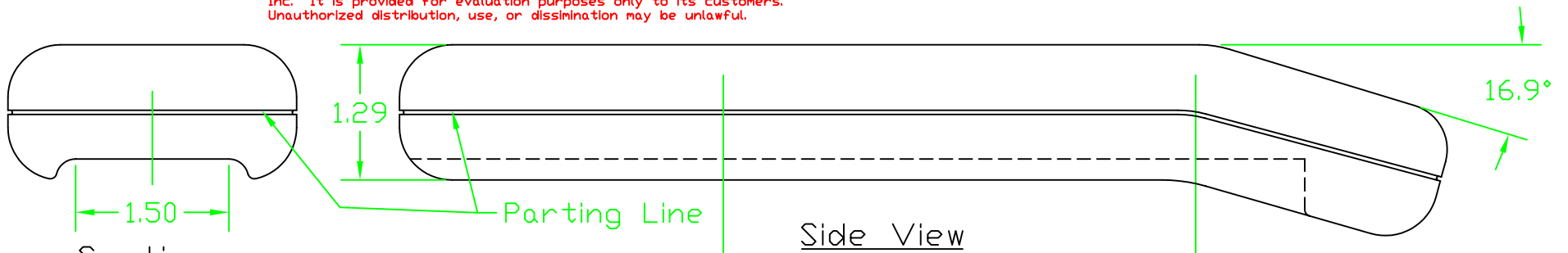
1. Material is Maxum Lite polyurethane.
2. Linear tolerances are ±0.03 unless otherwise noted.
3. Texture is #2 bead.
4. Substructure is the AI4026.



**\*Proprietary Document\***

This document is the intellectual property of The Meramec Group, Inc. It is provided for evaluation purposes only to its customers. Unauthorized distribution, use, or dissemination may be unlawful.

Bottom View



Section

Side View

**MERAMEC GROUP, INC.**  
**WISEGUY ARMPAD**

Notes:

1. Material is Maxum Lite® polyurethane.
2. Linear tolerances are ±0.03 unless otherwise noted.
3. Texture is #2 bead.
4. Substructure is the AI4026.